

TRAXXAS

TRX4



Visite la página TRAXXAS.com/manuals para descargar el instrucciones en su idioma.

Auf TRAXXAS.com/manuals können Sie anleitung in Ihrer Sprache downloaden.

Slipper Eliminator Installation Instructions

Covers Part #8249

- Remove the slipper clutch assembly from the input shaft.
- Remove the spring washers (4), steel discs (2), and the friction inserts (2) from the spur gear (Fig. 1).

- Install the slipper eliminator plates on either side of the spur gear; reinstall the spur gear, metal washer, and locknut onto the input shaft (Fig. 2).

Fig. 1

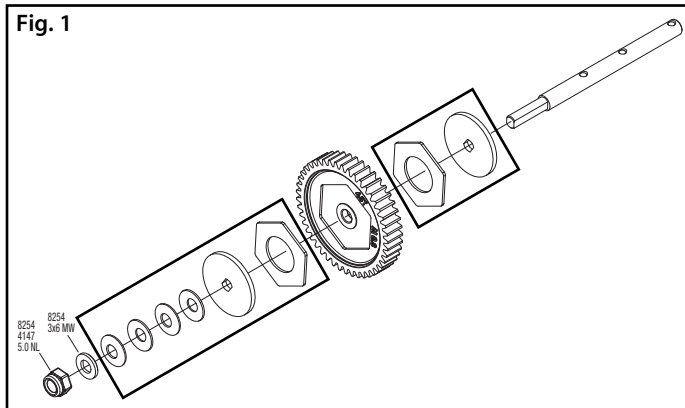
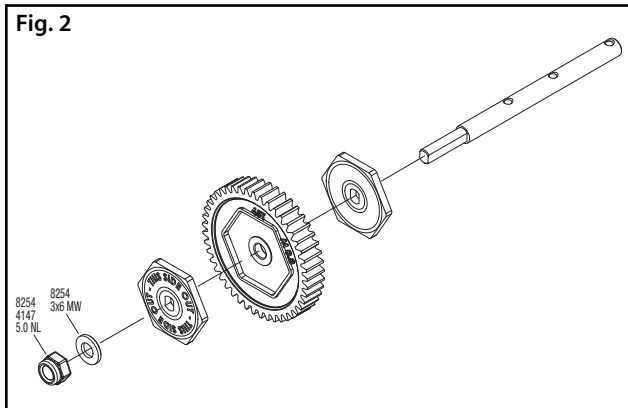


Fig. 2



If you have questions or need technical assistance, call Traxxas at

1-888-TRAXXAS

(1-888-872-9927) (U.S. residents only)

TRAXXAS.COM

KC2544-R00 Rev 171030

Traxxas, 6250 Traxxas Way, McKinney, TX 75070, Phone: 972-549-3000, Fax: 972-549-3011, e-mail: support@Traxxas.com